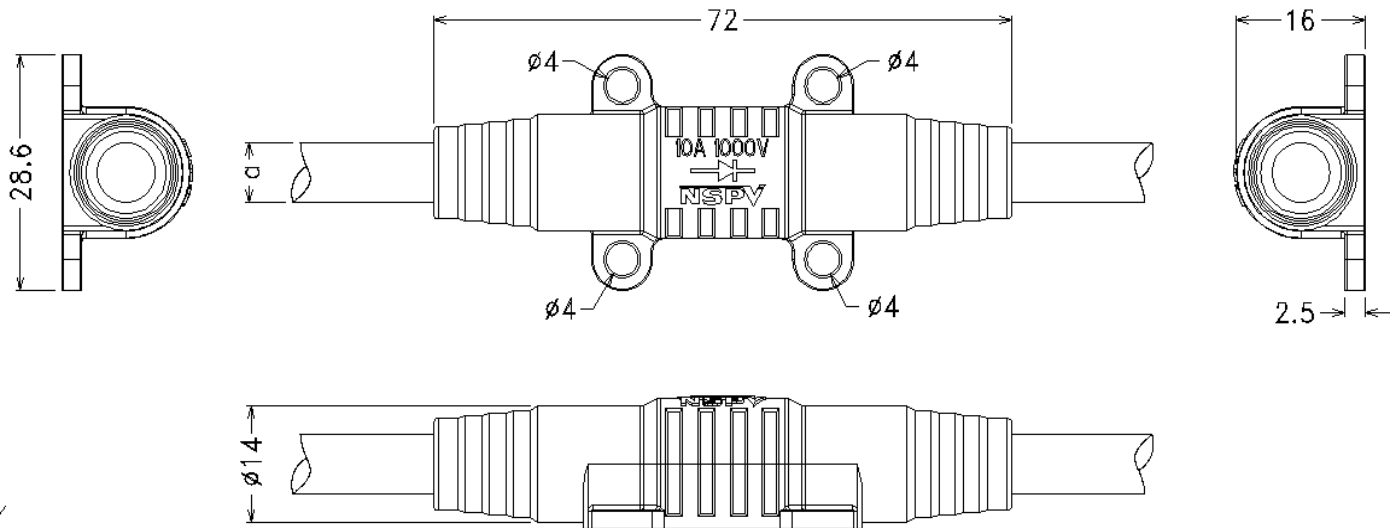


Diode Cable Molding

Product Specifications

Insulation material	PPE
Rated current	10A
Rated voltage	1000V (TUV) & 600V (UL)
Test voltage	6kV(50Hz, Imin)
Typical contact resistance	≤5 mΩ
Contact material	Copper, Tin plated
Degree of protection	IP2X/IP67
Safety degree	II
Flame class	UL94-V0
Material RTI	110℃
Ambient temperature range	-40℃ until +85℃
Suitable cable cross sections	2.5mm ² /4.0mm ² /6.0 mm ²

Drawing:



Part No.	"a" For Cable Size
M11250-001	2.5 mm ²
M11400-001	4.0 mm ²
M11600-001	6.0 mm ²

Approval: Bill 2011/06/25

Check: Linda 2011/06/25

Design: Jason 2011/06/25